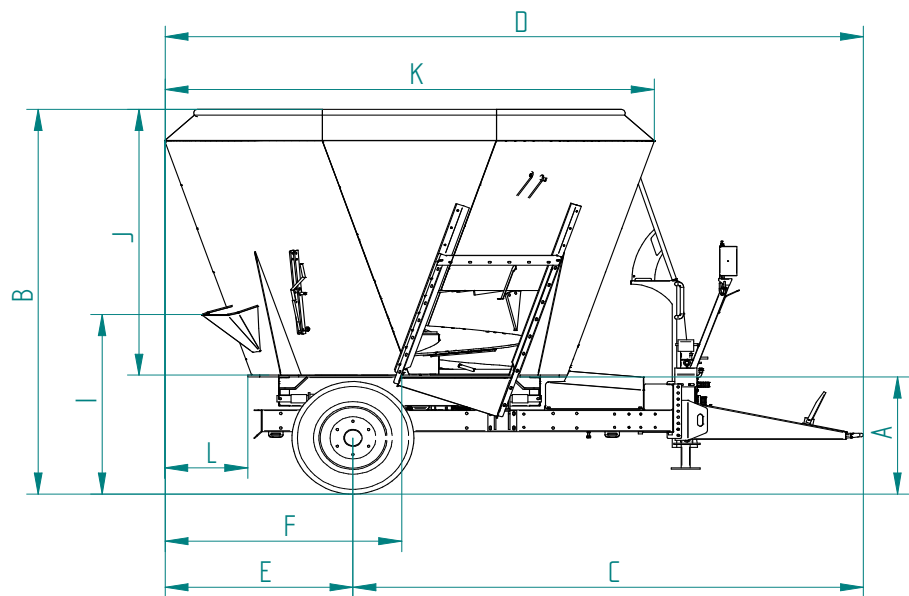
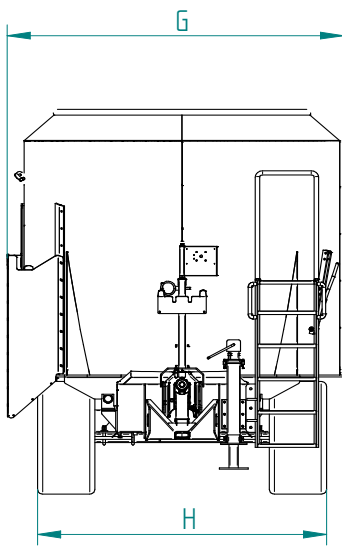


Technical Characteristics

		MVV 9 D	MVV 10 D	MVV 12 D	MVV 14 D	MVV 18 D	MVV 20 D	MVV 20 TD	MVV 23 TD	MVV 26 TD
A	Discharge height	0.47 m	0.59 m	0.59 m	0.61 m	0.61 m	0.61 m	0.66 m	0.66 m	0.66 m
B	Overall height	2.51 m	2.73 m	2.93 m	3.15 m	2.65 m	2.75 m	2.80 m	3.00 m	3.20 m
C	Wheel base	3.34 m	3.34 m	3.34 m	3.34 m	4.90 m	4.90 m	4.90 m	4.90 m	4.90 m
D	Overall length	4.75 m	4.85 m	4.92 m	4.99 m	7.16 m	7.19 m	7.19 m	7.26 m	7.32 m
E	Rear overhang	1.41 m	1.44 m	1.51 m	1.58 m	1.24 m	1.27 m	1.27 m	1.34 m	1.41 m
F	Useful discharge length	1.69 m	1.72 m	1.79 m	1.86 m	4.05 m	4.08 m	4.08 m	4.15 m	4.22 m
G	Overall width	2.54 m	2.54 m	2.54 m	2.54 m	2.54 m	2.54 m	2.54 m	2.54 m	2.54 m
H	Width at the wheels	2.05 m	2.15 m	2.15 m	2.21 m	2.21 m	2.21 m	2.08 m	2.08 m	2.08 m
I	Hopper loading height	1.31 m	1.42 m	1.42 m	1.42 m	1.45 m	1.45 m	1.50 m	1.50 m	1.50 m
J	Tub height	1.70 m	1.80 m	2.00 m	2.20 m	1.70 m	1.80 m	1.80 m	2.00 m	2.20 m
K	Tub length	3.40 m	3.47 m	3.60 m	3.74 m	5.81 m	5.87 m	5.87 m	6.00 m	6.15 m
L	Tub overhang	0.47 m	0.50 m	0.57 m	0.64 m	0.47 m	0.50 m	0.50 m	0.57 m	0.64 m



Equipment complies with safety standards.

We reserve the right to change our equipment and its characteristics at any time.