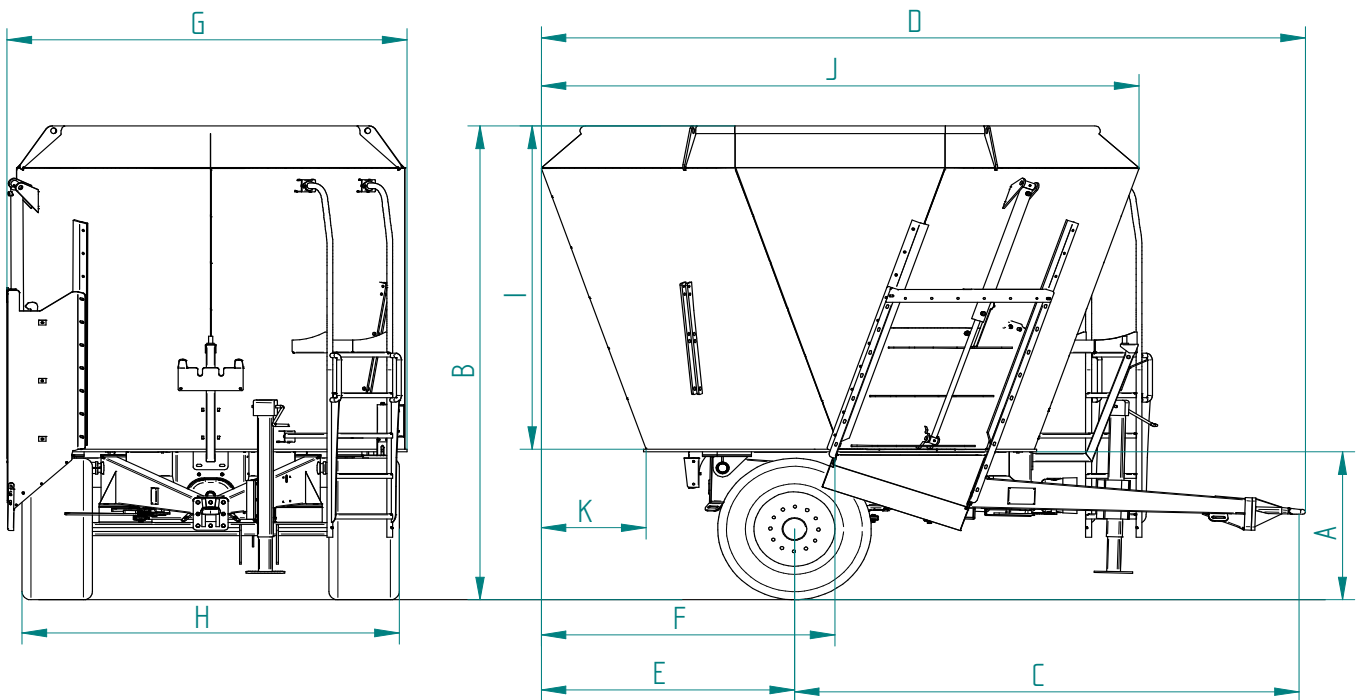


Technical Characteristics

		MVV 8 ND	MVV 9 ND	MVV 10 ND	MVV 12 ND	MVV 15 ND	MVV 17 ND	MVV 20 ND	MVV 15 TND	MVV 17 TND	MVV 20 TND
A	Discharge height	0.43 m	0.59 m	0.59 m	0.59 m	0.53 m	0.53 m	0.53 m	0.62 m	0.62 m	0.62 m
B	Overall height	2.47 m	2.73 m	2.93 m	3.13 m	2.58 m	2.68 m	2.88 m	2.67 m	2.77 m	2.97 m
C	Wheel base	3.35 m	3.35 m	3.35 m	3.35 m	3.98 m	3.98 m	3.98 m	4.27 m	4.27 m	4.27 m
D	Overall length	4.56 m	4.60 m	4.66 m	4.73 m	6.68 m	6.72 m	6.76 m	6.68 m	6.72 m	6.76 m
E	Rear overhang	1.21 m	1.24 m	1.31 m	1.38 m	2.70 m	2.74 m	2.80 m	2.70 m	2.74 m	2.80 m
F	Useful discharge length	1.62 m	1.66 m	1.72 m	1.79 m	3.79 m	3.83 m	3.89 m	3.79 m	3.83 m	3.89 m
G	Overall width	2.30 m	2.30 m	2.30 m	2.30 m	2.30 m	2.30 m	2.30 m	2.30 m	2.30 m	2.30 m
H	Width at the wheels	2.00 m	2.00 m	2.00 m	2.00 m	2.37 m	2.37 m	2.37 m	1.96 m	1.96 m	1.96 m
I	Tube height	1.70 m	1.80 m	2.00 m	2.20 m	1.70 m	1.80 m	2.00 m	1.70 m	1.80 m	2.00 m
J	Tube length	3.20 m	3.27 m	3.41 m	3.53 m	5.44 m	5.47 m	5.60 m	5.44 m	5.47 m	5.60 m
K	Tube overhang	0.48 m	0.52 m	0.58 m	0.65 m	0.48 m	0.52 m	0.58 m	0.48 m	0.52 m	0.58 m



Equipment complies with safety standards.

We reserve the right to change our equipment and its characteristics at any time.